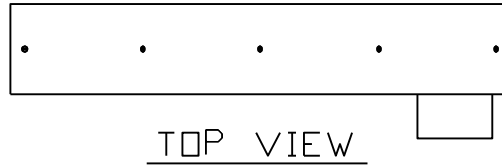


DWN NO. GENERAL		REV 1 A	
REVISIONS			
ZONE	REV	DESCRIPTION	DATE
A		RELEASED TO PRODUCTION	

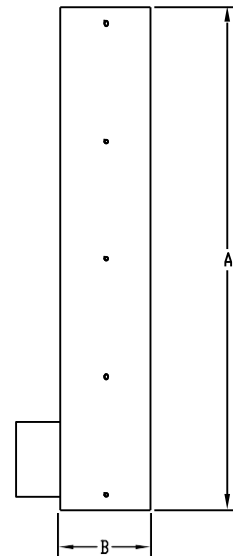
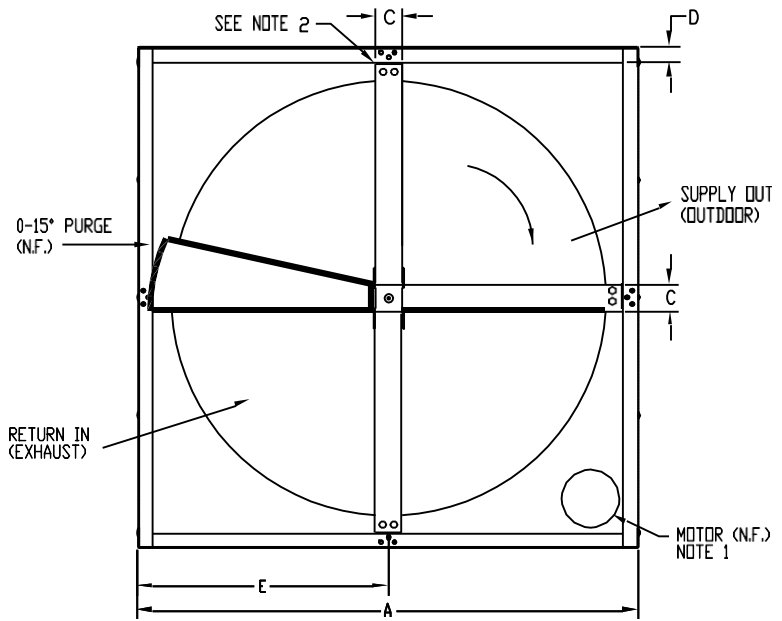
- NOTES:
1. MOTOR REQUIRES 'AIR OVER' FOR CONTINUOUS OPERATION.
 2. VERTICAL POST HAS NO SEAL.



APPROVED

BY: _____

QTY=



WHEEL SIZE	DIM. A	DIM. B	DIM. C	DIM. D	DIM. E	MOTOR SPECIFICATIONS FOR CUSTOMER USE	MTR
ECW546	60	10	2.75	1	30	3/4 HP., 1140 R.P.M., 115-208/230V 1Ø 3/4 HP., 1140 R.P.M., 208-230/460V 3Ø	<input checked="" type="checkbox"/>
ECW606	66	10	2.75	1	33	3/4 HP., 1140 R.P.M., 115-208/230V 1Ø 3/4 HP., 1140 R.P.M., 208-230/460V 3Ø	<input type="checkbox"/>

SPECIAL MOTOR SELECTION		---	
DO NOT SCALE DRAWING UNLESS OTHERWISE SPECIFIED: .X DECIMAL ± .1 .XX DECIMAL ± .03 .XXX DECIMAL ± .010 ANGLES ± ° ALL DIMENSIONS ARE IN INCHES SURFACE TEXTURE 125 RA4 BREAK EDGES .25-.500 INTERPRET PER 900-510-100		CONTRACT NO. APPROVALS DATE DRAWN M. HARRISON 10-22-03 CHECKED ISSUED APPROVED	
PART DASH NO. APPLICATION		NOVELAIRE TITLE SINGLE FACE PANEL CASS GENERAL ARRANGEMENT FOR 150MM WIDE WHEELS SIZE PFORM NO. DRAWING NO. REV D 80298 GENERAL A SCALE NONE WT. SHEET	