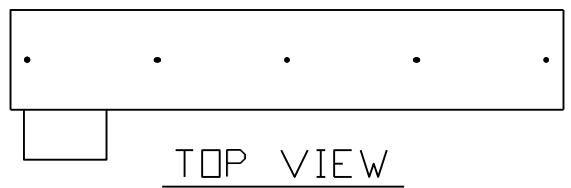


P.O.#	CUSTOMER	DATE:
-	---	-

8	7	6	5	4	3	2	1
---	---	---	---	---	---	---	---

DWN NO. GENERAL		REV 1 A	
REVISIONS			
ZONE	REV	ECCO NO.	DESCRIPTION
A			RELEASED TO PRODUCTION
DATE	APPROVED		

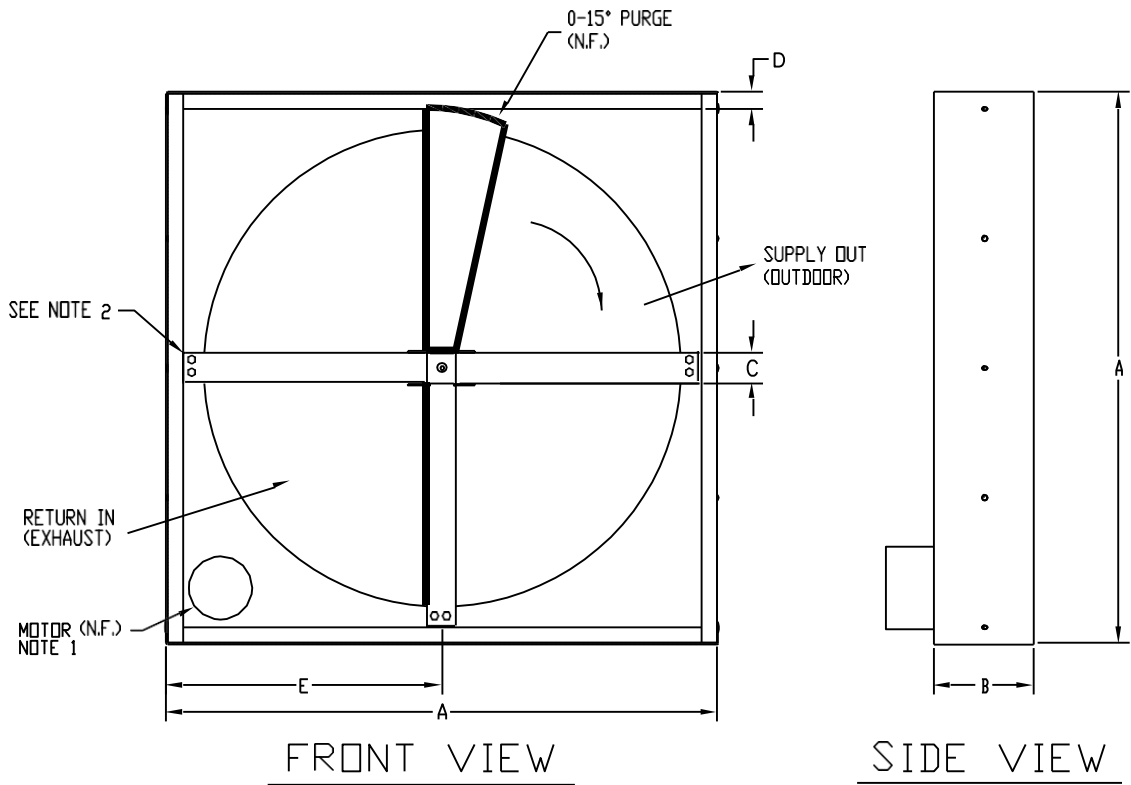
- NOTES:
1. MOTOR REQUIRES 'AIR OVER' FOR CONTINUOUS OPERATION.
 2. HORIZONTAL POST HAS NO SEAL.



APPROVED

BY: _____

QTY=



WHEEL SIZE	DIM. A	DIM. B	DIM. C	DIM. D	DIM. E	MOTOR SPECIFICATIONS FOR CUSTOMER USE	MTR
ECW326	39	9	2	1	19.5	1/2 HP., 1140 R.P.M., 115-208/230V 1Ø 1/2 HP., 1140 R.P.M., 208-230/460V 3Ø	
ECW366	42	9	2.5	1	21	1/2 HP., 1140 R.P.M., 115-208/230V 1Ø 1/2 HP., 1140 R.P.M., 208-230/460V 3Ø	
ECW386	44	9	2.5	1	22	1/2 HP., 1140 R.P.M., 115-208/230V 1Ø 1/2 HP., 1140 R.P.M., 208-230/460V 3Ø	
ECW426	48	9	2.5	1	24	1/2 HP., 1140 R.P.M., 115-208/230V 1Ø 1/2 HP., 1140 R.P.M., 208-230/460V 3Ø	
ECW486	54	10	2.75	1	27	1/2 HP., 1140 R.P.M., 115-208/230V 1Ø 1/2 HP., 1140 R.P.M., 208-230/460V 3Ø	

SPECIAL MOTOR SELECTION

DO NOT SCALE DRAWING	CONTRACT NO.	NOVELAIRE
UNLESS OTHERWISE SPECIFIED: X DECIMAL ± .1 .XX DECIMAL ± .03 XXX DECIMAL ± .010 ANGLES ± °	APPROVALS DATE	
ALL DIMENSIONS ARE IN INCHES	ISSUED	TITLE
SURFACE FINISH: 125 RMS	APPROVED	SINGLE FACE PANEL CASS
BREAK EDGES 208-230		GENERAL ARRANGEMENT
INTERPRET PER 000-910-100		FOR 150MM WIDE WHEELS

PART DASH NO. NEXT ASSY USED ON APPLICATION

SIZE FRESH NO. D 80298 DRAWING NO. GENERAL REV A

SCALE NONE WT. SHEET

8	7	6	5	4	3	2	1
---	---	---	---	---	---	---	---