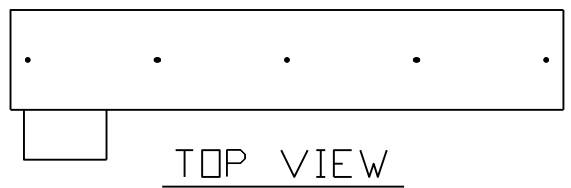


P.O.#	CUSTOMER	DATE:
---	---	---

8	7	6	5	4	3	DWG NO. GENERAL	REV 1	1
---	---	---	---	---	---	-----------------	-------	---

REVISIONS			
ZONE	REV	ECCO NO.	DESCRIPTION
A			RELEASED TO PRODUCTION
DATE	APPROVED		

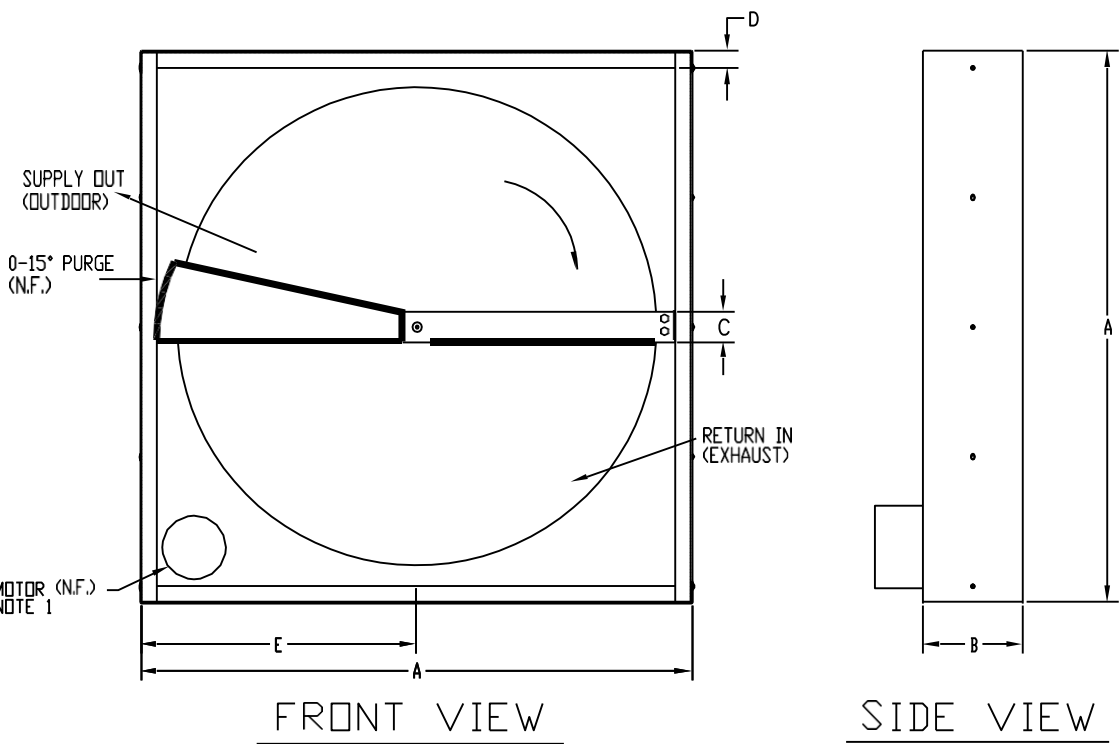
NOTES:  
 1. MOTOR REQUIRES 'AIR OVER' FOR CONTINUOUS OPERATION.



APPROVED

BY: \_\_\_\_\_

QTY=1



WHEEL SIZE	DIM. A	DIM. B	DIM. C	DIM. D	DIM. E	MOTOR SPECIFICATIONS FOR CUSTOMER USE	MTR
ECW204	22.75	7	2	.75	11.37	1/20 H.P., 1500 R.P.M., 115V 1Ø 1/15 H.P., 1500 R.P.M., 230V 1Ø	<input checked="" type="checkbox"/>
ECW224	29	7	2	1	14.5	1/20 H.P., 1500 R.P.M., 115V 1Ø 1/15 H.P., 1500 R.P.M., 230V 1Ø	<input type="checkbox"/>
ECW244	27	7	2	1	13.5	1/20 H.P., 1500 R.P.M., 115V 1Ø 1/15 H.P., 1500 R.P.M., 230V 1Ø	<input type="checkbox"/>

**SPECIAL MOTOR SELECTION**

DO NOT SCALE DRAWING	CONTRACT NO.	<b>NOVELAIRE</b>	
UNLESS OTHERWISE SPECIFIED: .X DECIMAL ± .1 .XX DECIMAL ± .03 .XXX DECIMAL ± .010 ANGLES ± °	APPROVALS	DATE	TITLE
ALL DIMENSIONS ARE IN INCHES	DRAWN	12-16-03	SINGLE FACE PANEL CASS
SURFACE TEXTURE: 125 RMS	CHECKED		GENERAL ARRANGEMENT
BREAK EDGES .015-.030	ISSUED		FOR 100MM WIDE WHEELS
INTERPRET PER 000-670-100	APPROVED		
PART DASH NO.	NEXT ASSY	USED ON	SIZE / FRESH NO.
APPLICATION			D 80298
			DRAWING NO. GENERAL
			SCALE: NONE
			REV A
			SHEET

8	7	6	5	4	3	2	1
---	---	---	---	---	---	---	---