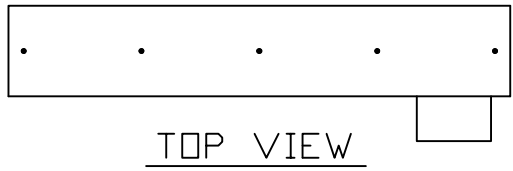


|                 |     |         |                        |      |
|-----------------|-----|---------|------------------------|------|
| DWG NO. GENERAL |     | REV 1   | REV A                  | 1    |
| REVISIONS       |     |         |                        |      |
| ZONE            | REV | ECO NO. | DESCRIPTION            | DATE |
| A               |     |         | RELEASED TO PRODUCTION |      |

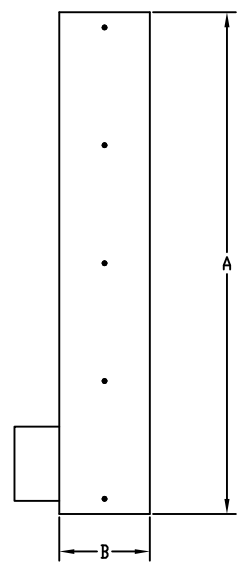
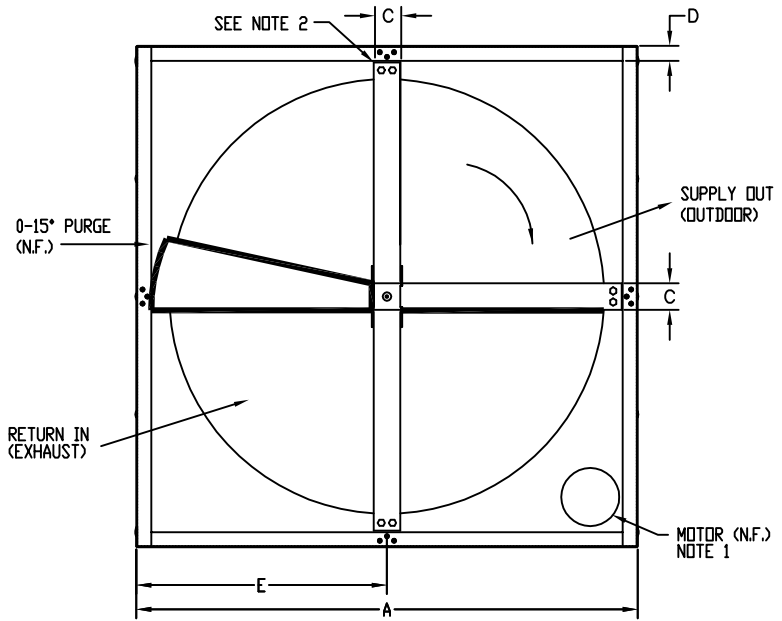
- NOTES:
1. MOTOR REQUIRES 'AIR OVER' FOR CONTINUOUS OPERATION.
  2. VERTICAL POST HAS NO SEAL.



APPROVED

BY: \_\_\_\_\_

QTY=



| WHEEL SIZE | DIM. A | DIM. B | DIM. C | DIM. D | DIM. E | MOTOR SPECIFICATIONS FOR CUSTOMER USE  | MTR                                 |
|------------|--------|--------|--------|--------|--------|--|-------------------------------------|
| ECW546     | 60     | 10     | 2.75   | 1      | 30     | 3/4 HP., 1140 R.P.M., 115-208/230V 1Ø<br>3/4 HP., 1140 R.P.M., 208-230/460V 3Ø | <input checked="" type="checkbox"/> |
| ECW606     | 66     | 10     | 2.75   | 1      | 33     | 3/4 HP., 1140 R.P.M., 115-208/230V 1Ø<br>3/4 HP., 1140 R.P.M., 208-230/460V 3Ø | <input type="checkbox"/>            |

|  |                                       |   |                                |  |  |
|--|---------------------------------------|---|--------------------------------|--|--|
| SPECIAL MOTOR SELECTION  |                                       | <small>DO NOT SCALE DRAWING</small><br><small>UNLESS OTHERWISE SPECIFIED:</small><br>X DECIMAL ± .1<br>.XX DECIMAL ± .03<br>.XXX DECIMAL ± .010<br>ANGLES ± °<br><small>ALL DIMENSIONS ARE IN INCHES</small><br><small>SURFACE TEXTURE: 125 RMS</small><br><small>BREAK EDGES .015-.030</small><br><small>INTERPRET PER 002-87B-100</small> |                                | <small>CONTRACT NO.</small><br><small>APPROVALS</small><br><small>DATE</small><br><small>DRAWN</small><br><small>CHECKED</small><br><small>ISSUED</small><br><small>APPROVED</small> | <b>NOVELAIRE TECHNOLOGIES</b><br><b>SINGLE FACE PANEL CASS</b><br><b>GENERAL ARRANGEMENT</b><br><b>FOR 150MM WIDE WHEELS</b> |
| <small>PART DASH NO.</small><br><small>NEXT ASSY</small><br><small>USED ON</small><br><small>APPLICATION</small> | <small>SIZE</small><br><b>D 80298</b> | <small>DRAWING NO.</small><br><b>GENERAL</b>  | <small>REV</small><br><b>A</b> |  |  |