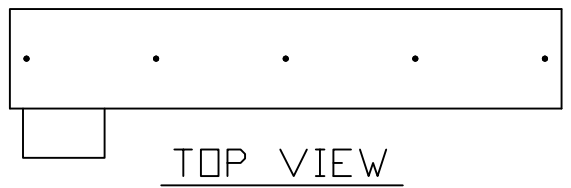


P.O.#	CUSTOMER	DATE:
-	---	-

8	7	6	5	4	3	2	1
---	---	---	---	---	---	---	---

NOTES:
 1. MOTOR REQUIRES 'AIR OVER' FOR CONTINUOUS OPERATION.
 2. HORIZONTAL POST HAS NO SEAL.

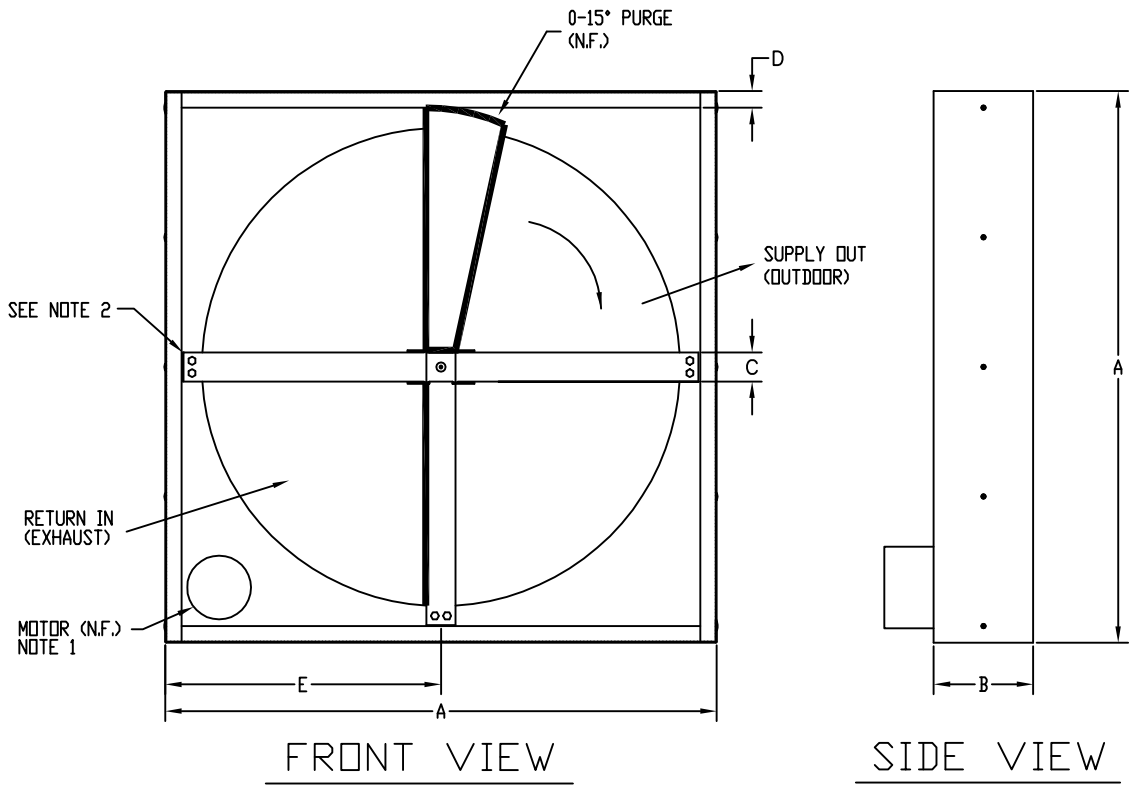
DRAWING NO. GENERAL		REV 1	REV A
ZONE	REV	ECCO NO.	DESCRIPTION
A			RELEASED TO PRODUCTION



APPROVED

BY: _____

QTY=



WHEEL SIZE	DIM. A	DIM. B	DIM. C	DIM. D	DIM. E	MOTOR SPECIFICATIONS FOR CUSTOMER USE	MTR
ECW326	39	9	2	1	19.5	1/2 H.P., 1140 R.P.M., 115-208/230V 1Ø 1/2 H.P., 1140 R.P.M., 208-230/460V 3Ø	<input checked="" type="checkbox"/>
ECW366	42	9	2.5	1	21	1/2 H.P., 1140 R.P.M., 115-208/230V 1Ø 1/2 H.P., 1140 R.P.M., 208-230/460V 3Ø	<input type="checkbox"/>
ECW386	44	9	2.5	1	22	1/2 H.P., 1140 R.P.M., 115-208/230V 1Ø 1/2 H.P., 1140 R.P.M., 208-230/460V 3Ø	<input type="checkbox"/>
ECW426	48	9	2.5	1	24	1/2 H.P., 1140 R.P.M., 115-208/230V 1Ø 1/2 H.P., 1140 R.P.M., 208-230/460V 3Ø	<input type="checkbox"/>
ECW486	54	10	2.75	1	27	1/2 H.P., 1140 R.P.M., 115-208/230V 1Ø 1/2 H.P., 1140 R.P.M., 208-230/460V 3Ø	<input type="checkbox"/>

SPECIAL MOTOR SELECTION		CONTRACT NO.		NOVELAIRE TECHNOLOGIES	
DO NOT SCALE DRAWING UNLESS OTHERWISE SPECIFIED: .X DECIMAL ± .1 .XX DECIMAL ± .03 .XXX DECIMAL ± .010 ANGLES ± °		APPROVALS	DATE	TITLE	
ALL DIMENSIONS ARE IN INCHES SURFACE TEXTURE 125 RMS DIMEN TOLER 015-030 INTERPRET PER 002-610-100		DRAWN M. HARRISON	5-15-03	SINGLE FACE PANEL CASS GENERAL ARRANGEMENT FOR 150MM WIDE WHEELS	
PART DASH NO.	NEXT ASSY	USED ON	ISSUED	SCALE	REV
APPLICATION			APPROVED	D 80298	GENERAL A

8	7	6	5	4	3	2	1
---	---	---	---	---	---	---	---