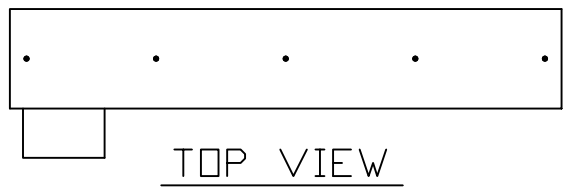


P.O.# ---	CUSTOMER ---	DATE: ---
--------------	-----------------	--------------

8	7	6	5	↓	4	3	1
---	---	---	---	---	---	---	---

DWG NO. GENERAL		REV 1	REV A
REVISIONS			
ZONE	REV	ECCD NO.	DESCRIPTION
A			RELEASED TO PRODUCTION
			DATE
			APPROVED

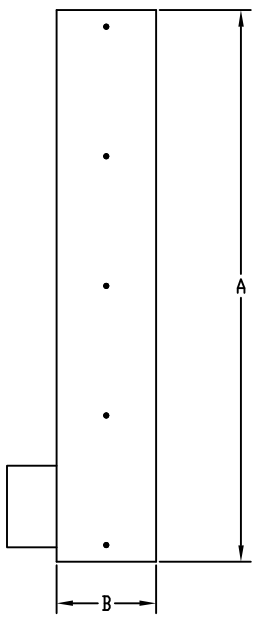
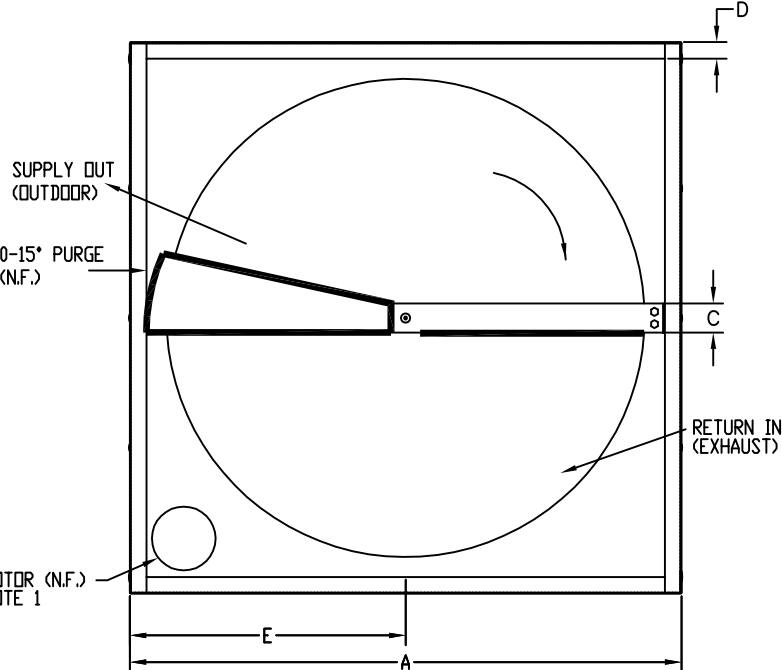
NOTES:
1. MOTOR REQUIRES 'AIR OVER' FOR CONTINUOUS OPERATION.



APPROVED

BY: _____

QTY=1



WHEEL SIZE	DIM. A	DIM. B	DIM. C	DIM. D	DIM. E	MOTOR SPECIFICATIONS FOR CUSTOMER USE	MTR
ECW204	22.75	7	2	.75	11.37	1/20 HP., 1500 R.P.M., 115V 1Ø 1/15 HP., 1500 R.P.M., 230V 1Ø	<input checked="" type="checkbox"/>
ECW224	29	7	2	1	14.5	1/20 HP., 1500 R.P.M., 115V 1Ø 1/15 HP., 1500 R.P.M., 230V 1Ø	<input type="checkbox"/>
ECW244	27	7	2	1	13.5	1/20 HP., 1500 R.P.M., 115V 1Ø 1/15 HP., 1500 R.P.M., 230V 1Ø	<input type="checkbox"/>

SPECIAL MOTOR SELECTION		CONTRACT NO.		NOVELAIRE TECHNOLOGIES	
DO NOT SCALE DRAWING UNLESS OTHERWISE SPECIFIED: .X DECIMAL ± .1 .XX DECIMAL ± .03 .XXX DECIMAL ± .010 ANGLES ± °		APPROVALS	DATE	TITLE SINGLE FACE PANEL CASS GENERAL ARRANGEMENT FOR 100MM WIDE WHEELS	
ALL DIMENSIONS ARE IN INCHES SURFACE TEXTURE 125 RMS BREAK EDGES .015-.030 INTERPRET PER 900-610-100		DRAWN M. HARRISON	12-16-03	SIZE D 80298	DRAWING NO. GENERAL
PART DASH NO.	NEXT ASSY	USED ON	ISSUED	SCALE/NONE	REV A
APPLICATION		APPROVED			SHEET

8	7	6	5	↑	4	3	2	1
---	---	---	---	---	---	---	---	---