

DH-1000

Commercial Desiccant Dehumidifier

Advanced Humidity Control

The DH-1000 desiccant dehumidifier is a multipurpose dehumidifier designed to be used in a wide range of applications where low dew points are required. Typical applications include:

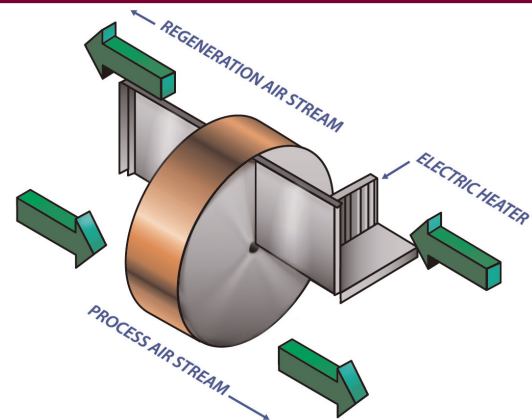
- Archive storage rooms and vaults
- Humidity control in manufacturing plants
- Refrigerated storage rooms
- Mold and mildew prevention
- Corrosion protection
- Water treatment facilities



The DH-1000 is capable of controlling the humidity in a space well below that which can be obtained with conventional refrigeration type dehumidifiers. The DH-1000 relies on NovelAire's "state-of-the-art" desiccant wheel technology to deliver ultralow dew points.

HOW IT WORKS

The heart of the **DH-1000** unit is a rotating desiccant wheel. Process air is drawn through the wheel where it absorbs moisture onto the desiccant surface. The process air leaves the unit essentially bone dry. The desiccant wheel rotates into the regeneration section where the desiccant releases the absorbed moisture into the electrically heated regeneration air stream which is then exhausted.

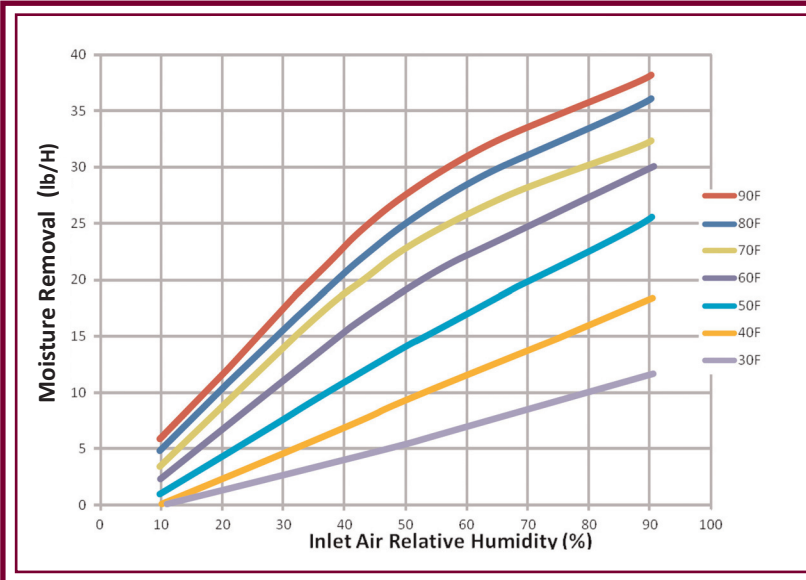


FEATURING

- Double wall 1" insulated epoxy coated galvanized cabinet
- Direct drive fans with VFDs to provide fan speed control
- NovelAire patented desiccant wheel technology
- SCR modulating electric heater
- Manual/Auto/Off switch - accommodates 24 vac run signal
- Designed for easy maintenance access
- ETL certified

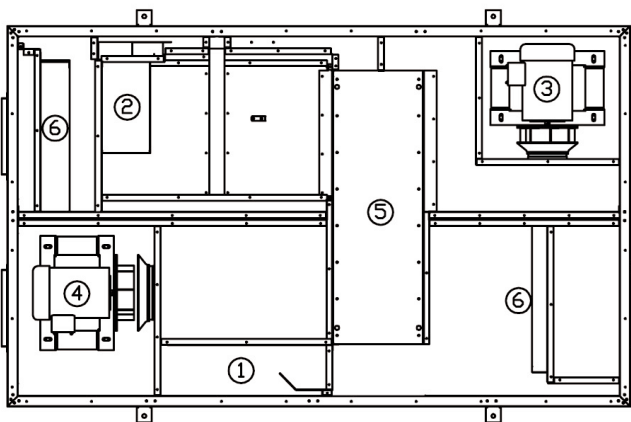
PERFORMANCE

SPECIFICATIONS

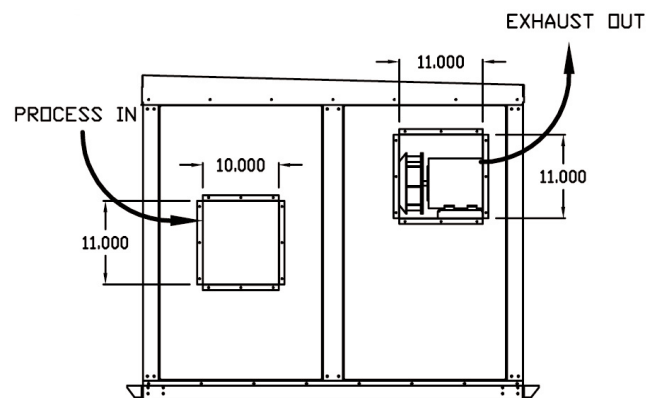
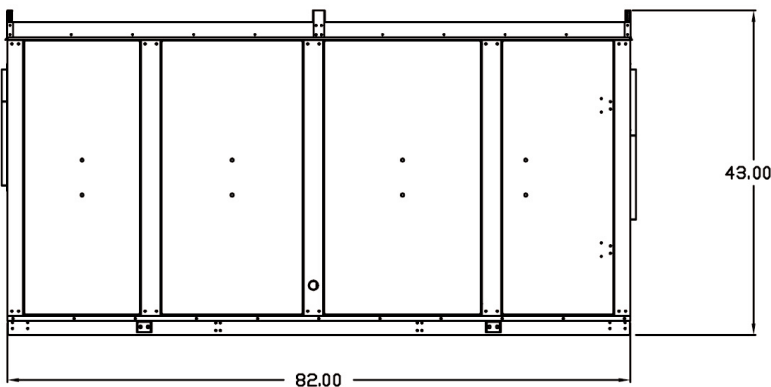
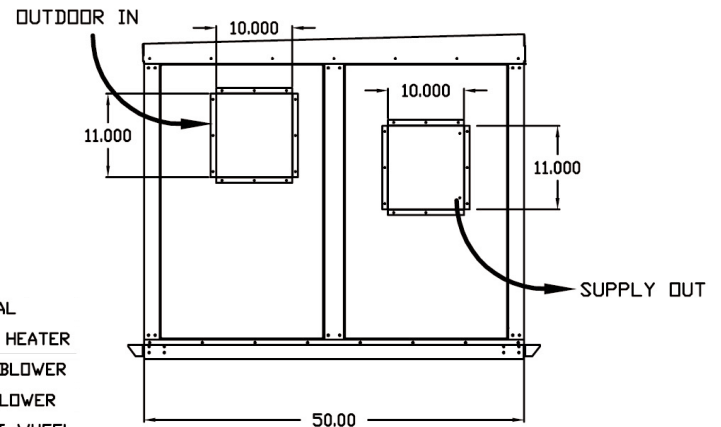


Power	208-240v/ 3ph/ 60hz, FLA 47.7
	440-480v/ 3ph/ 60hz, FLA 22.0
Reactivation Heater	15 KW (max)
Process Volume	1000 CFM
Reactivation Volume	400 CFM
Process / React ESP	1"wc
Unit Weight	1200 lbs.

DIMENSIONS



- ① ELECTRICAL
- ② ELECTRIC HEATER
- ③ EXHAUST BLOWER
- ④ SUPPLY BLOWER
- ⑤ DESICCANT WHEEL
- ⑥ FILTER



NOVELAIRE TECHNOLOGIES

Creating the Great Indoors®

10132 Mammoth Drive, Baton Rouge, LA 70814-4420
 tel. 800-762-1320 / 225-924-0427 fax. 225-930-0340
 www.novelaire.com



The information contained in this brochure is believed to be accurate by NovelAire Technologies, but is not warranted. Specifications subject to change without notice. Consult factory for special applications.